

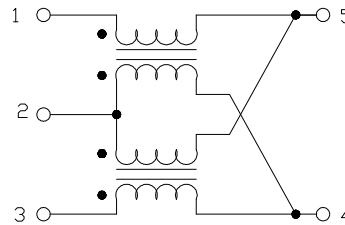


RoHS Compliant and Pb-Free Product
Package: S-20



Features

- Frequency Range 5 –1200 MHz
- Low Cost and **RoHS** Compliant
- 7 dB Coupling
- Industry Standard SMT package
- Available in Tape-and -Reel
- 75 Ohm Characteristic Impedance



Schematic

Applications

- Broadband
- Wireless Communications

Product Description

The MRFCP0013 Coupler is designed for applications that require very small, low cost, and highly reliable surface mount components. Applications may be found in broadband, wireless and other communications systems. These units are built Lead-Free and RoHS compliant and feature welded wire construction for increased reliability. S-Parameters are available on request.

Specifications

Parameter	Min.	Typ.	Max.	Unit	Condition
Typical values represent Mid-Band performance at 25 °C					
Frequency Range	5		1200	MHz	
Nominal Coupling	6.5	7.0	7.5	dB	
Coupling Flatness	-0.5		+0.5	dB	
Insertion Loss		1.6	2.8	dB	
Directivity	10	18		dB	
Return Loss	14	21		dB	
Nominal Impedance	75			Ohms	

Absolute Maximum Ratings

Parameter	Rating	Unit
RF Power	2	Watt
Operating Temperature	-40 to +85	°C
Storage Temperature	-55 to +100	°C



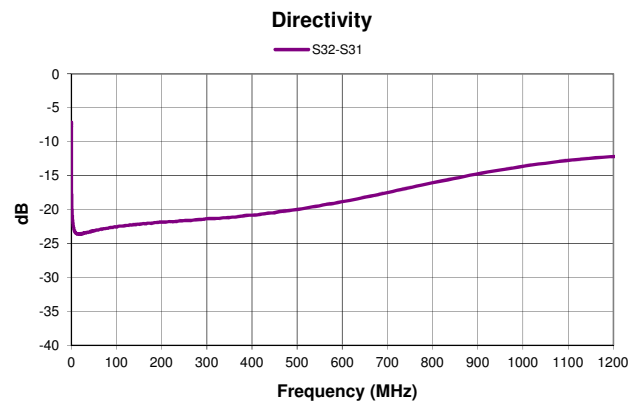
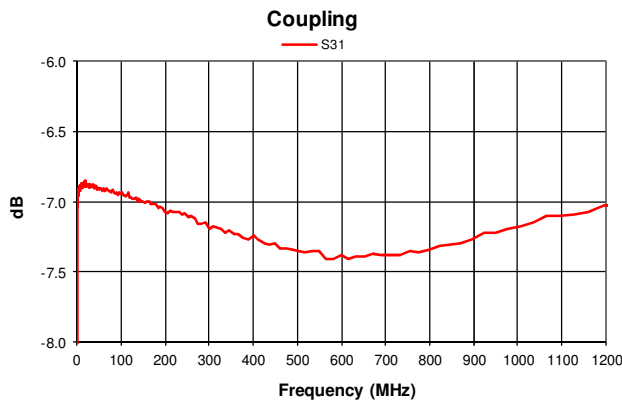
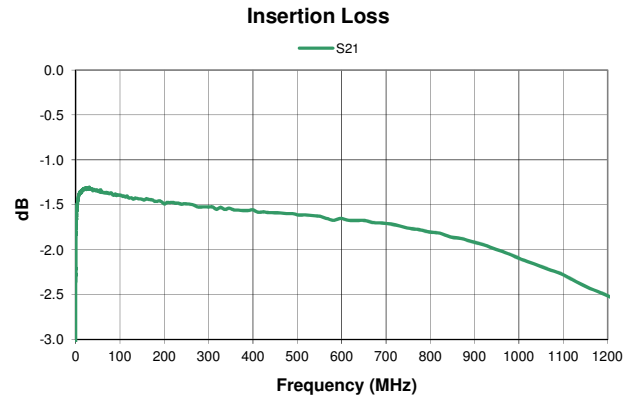
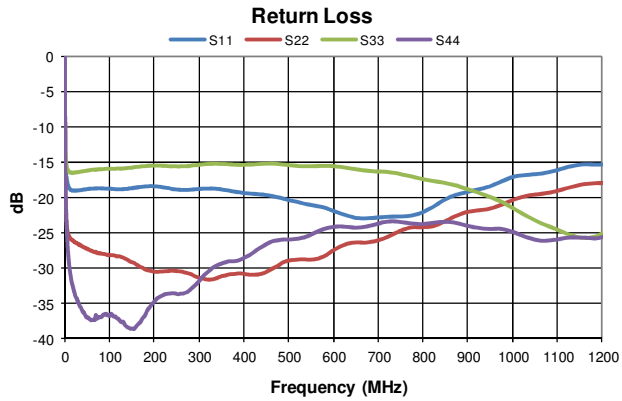
Caution! ESD sensitive device.

Exceeding any one or a combination of the Absolute Maximum Rating conditions may cause permanent damage to the device. Extended application of Absolute Maximum Rating conditions to the device may reduce device reliability. Specified typical performance or functional operation of the device under Absolute Maximum Rating conditions is not implied.

RoHS status based on EUDirective2002/95/EC (at time of this document revision).

The information in this publication is believed to be accurate and reliable. However, no responsibility is assumed by RF Micro Devices, Inc. ("RFMD") for its use, nor for any infringement of patents, or other rights of third parties, resulting from its use. No license is granted by implication or otherwise under any patent or patent rights of RFMD. RFMD reserves the right to change component circuitry, recommended application circuitry and specifications at any time without prior notice.

Typical Data

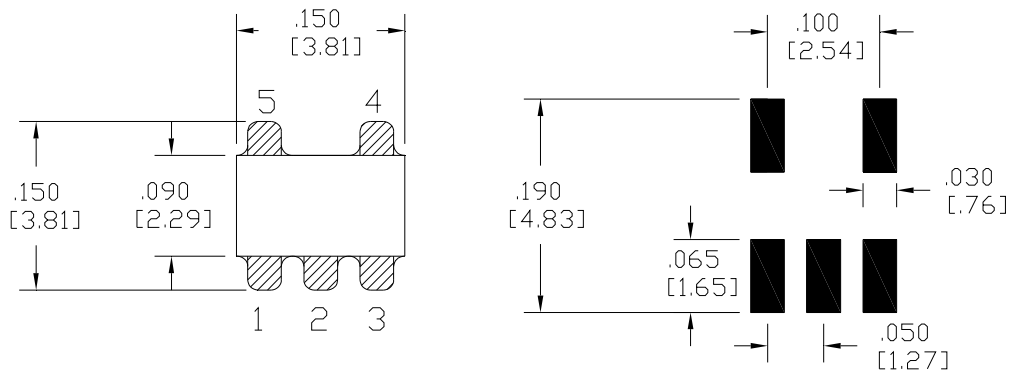


Pin Out

Pin	Function
1	Main Line Input
2	Ground
3	Coupled Output
4	Terminated
5	Main Line Output

S20 Package Drawing

Dimensions in inches (millimeters)



PCB FOOTPRINT

